



## Better Lighting Solution For Area

Thanks to a robust aluminum housing with safety tempered glass cove, high quality led and driver, our slim G3 LED Floodlight delivers high lumen efficacy up to 150 LPW and long lifetime. Asymmetric optical distribution improves light effect

This product is an ideal solution for most outdoor applications such as wall mounted around building facades, gardens, paths near to buildings, garages, entrance ways and drives.



RoHS  
compliant

# Slim G3

## NEW DESIGN

With visor, low spill light

With metal mesh, IK10

Asymmetric optics

High brightness up to 150lm/w



**Tempered Glass**

**PMMA lens**

**Die-cast aluminum**



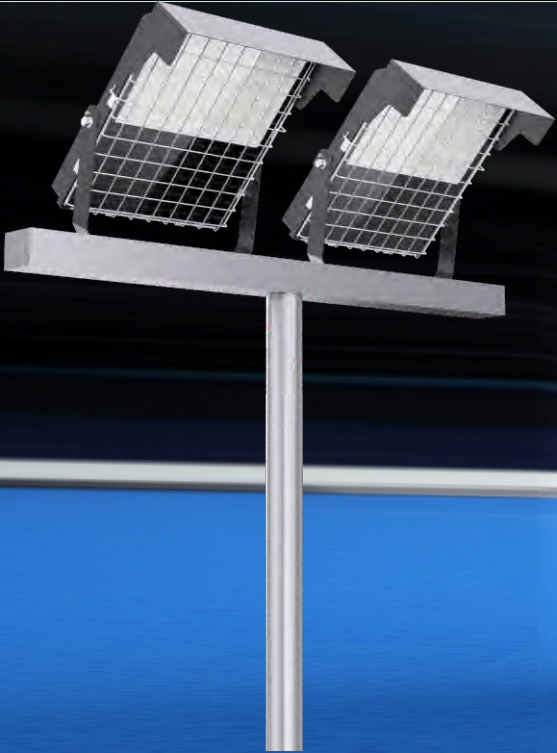
**150LM/W**



Easy installation



IP66



IK10





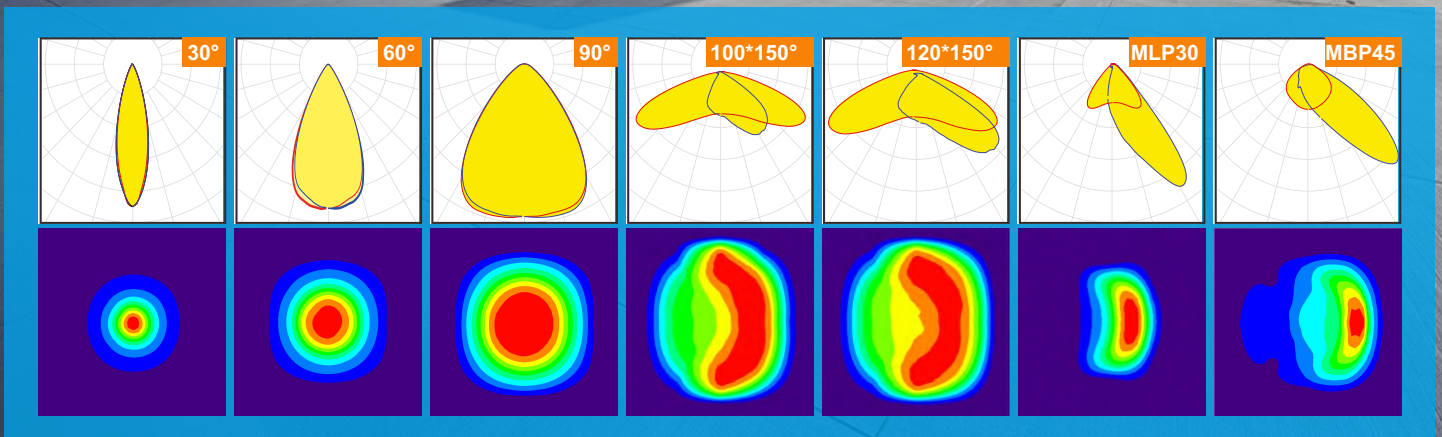


## Visor

Asymmetric polarized optics and visor work together to minimize glare, back light, and spill light.

## Optics

Special designed optics are used for different height and space. They will not only improve the lux and uniformity, but also minimize glare light.

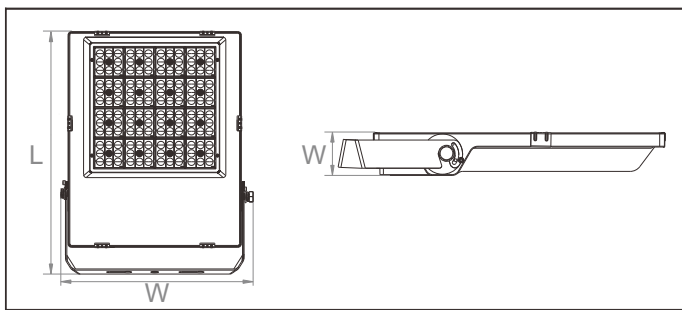






## Features

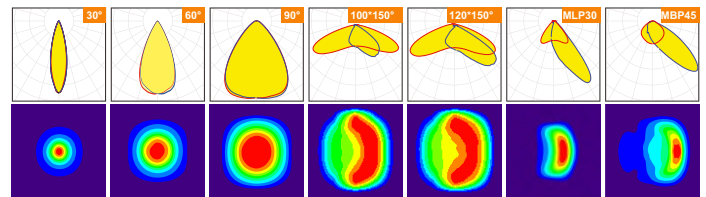
- Housing: Die Cast Aluminum
- Thermal Conductivity: 96 W/m·K
- Led: Cree 3030
- CRI: Ra>70
- SDCM: <6
- Power Factor: >0.95
- THD: <15
- Driver: Meanwell
- Driver Efficiency: >93%
- Protection: OTP, OCP, OVP, SCP
- Surge Protection: 6KV
- Waterproof: IP66
- Impact Test: IK08&IK10
- Electrical: 100-277V, 50/60Hz
- Operating Temperature: -40~50 °C
- TM21: L90B10>50,000H
- Lifetime: 50,000H



## Functions

ZigBee · DMX · DALI · 0/1~10V

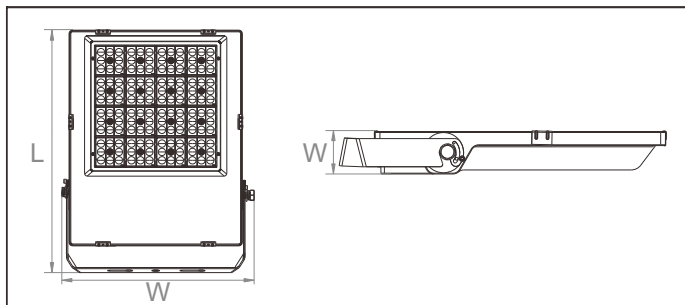
## Optical options:



Model	Watt	Voltage	Lumen	CRI	IP	Dimension
FL100SE1H-CM	100W	100~277V	15000LM	>70	IP66	292*246*53
FL150SE1H-CM	150W	100~277V	22500LM	>70	IP66	336*264*53
FL200SE1H-CM	200W	100~277V	30000LM	>70	IP66	407*328*53
FL240SE1H-CM	240W	100~277V	36000LM	>70	IP66	407*328*53
FL300SE1H-CM	300W	100~277V	45000LM	>70	IP66	496*411*65
FL400SE1H-CM	400W	100~277V	60000LM	>70	IP66	496*411*65



# Packing



## Luminaire

Model	Outer Carton(mm)			QTY / Outer CTN	Luminaire	
	L	W	H		NW(kg)	GW(kg)
FL100SE1H	370	275	105	1	2.50	2.90
FL150SE1H	415	300	120	1	3.30	3.80
FL200SE1H	485	385	140	1	5.20	5.80
FL240SE1H	485	385	140	1	5.45	6.10
FL300SE1H	586	473	165	1	9.60	10.20
FL400SE1H	586	473	165	1	9.60	10.20